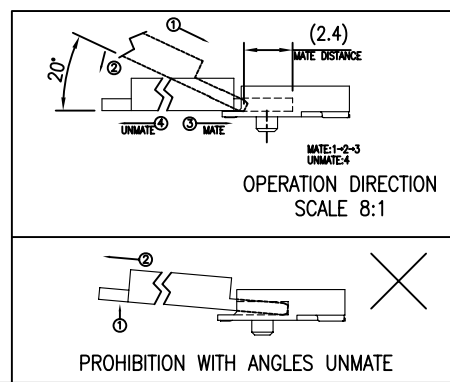
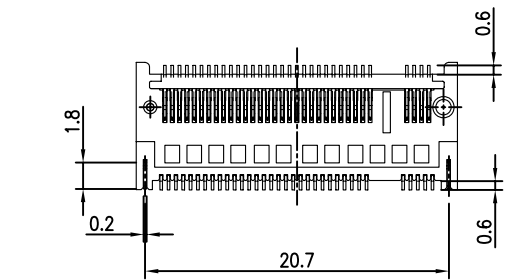
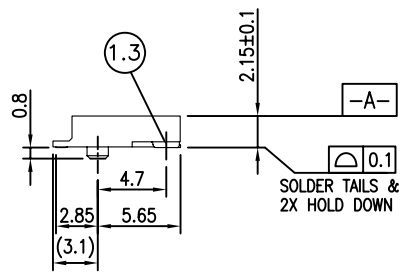
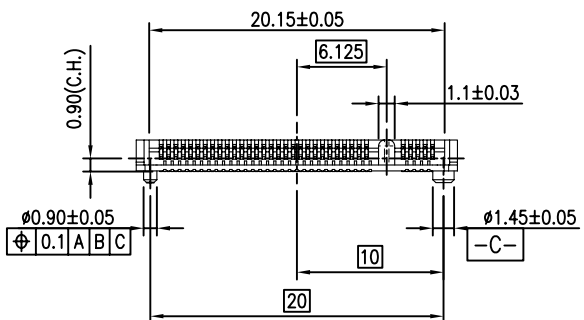


DATUM X IS THE TOP OF SURFACE OF PCB.
RECOMMENDED P.C.B LAYOUT

- NOTES:
- MATERIAL:
 - HOUSING: THERMOPLASTIC, HIGH TEMP., UL94V-0; COLOR:BLACK.
 - CONTACT: COPPER ALLOY
 - HOLD DOWN: COPPER ALLOY
 - FINISH:
 - CONTACT:
 - GOLD FLASH PLATING ON CONTACT AREA.
 - 100~200u" MATTE TIN PLATING ON SOLDER TAILS,
 - 50~100u" NICKEL UNDERPLATING OVERALL.
 - HOLD DOWN:
 - 100~200u" MATTE TIN PLATING ON SOLDER TAILS.
 - 50~100u" NICKEL UNDERPLATING OVERALL.
 - REFLOW SOLDER CAPABLE TO 260°C PER ACES SPEC.
 - SPEC. PLS. REFER TO PS-51734-0750P-XXX
 - PACKAGE PLS. REFER TO 51746-XXXXX-XX-TRP
 - PART NUMBER

51746-XXX	X	X-XXX	XXX	KEY TYPE
			001	A
			002	B
			005	E
			012	M
- PACKING
O:TAPE&REEL
T:TAPE&REEL REVERSE
- PLATING
P: GOLD FLASH



一般公差 TOLERANCES X ±0.5 JX ±0.15 X ±0.25 JXX ±0.1 ANGLES ±2°		宏致電子股份有限公司 Aces Electronics Co.,Ltd.	
檢驗尺寸標示 SYMBOLS ⊕ ⊗ INDICATE CLASSIFICATION DIMENSION ⊕ MARK IS CRITICAL DIM. ⊗ MARK IS MAJOR DIM.		品名 (TITLE) 0.5MM PITCH M.2 CONN. SMT D/R R/A TYPE H=2.25MM 圖號 (DWG NO.) 51746-XXXXX-XXX	製圖 (DR) 17"/08/08 LIUHUA 審核 (CHKD) BRAVE 核准 (APFD) FRANK
表面處理 (FINISH)	比例 (SCALE) 2:1	單位 (UNITS) mm	張數 (SHEET) 1 OF 1 尺寸 (SIZE) A4 版次 (REV) 0